

Catalog Number:	Project Name:	Note:	Date:	Type:
-----------------	---------------	-------	-------	-------

The RHB High Output Round High Bay fixture is efficient, durable and designed to withstand harsh conditions with its remarkable heat dissipation, dust-tight body and resistance to water. RHB is wattage and color selectable, eliminating the need to stock multiple SKUs.

Premium quality provides excellent solution for high-ceiling mount applications, especially in warehouses, storages, gymnasiums, retail spaces and convention centers.

**11" / 13"**  
..... DIAMETER .....



**CONSTRUCTION**

Die-cast aluminum heat sink provides superior thermal transfer to extend lifespan of the luminaire. Built rugged to withstand harsh conditions, IP65 rated.

**OPTICS**

90° PC lens designed to reduce glare and improve light distribution through precision lens optics.

**ELECTRICAL**

Luminaire is built with the highest quality driver that is Universal Voltage (120-277V), with an option of HV (277-480V), Continuous dimming (0-10V) comes standard. Built-in 6KV surge protector.

**MOUNTING**

Comes standard with J-Hooks, a 0.5" screw in hole for pendant mount, and a safety cable. Options available for U-bracket mount.

**CONTROLS**

Options available for occupancy sensors with daylight harvesting function, TEELIO Bluetooth lighting controls, and Lutron AWN.

**LISTING**

UL Listed, DLC Premium Listed, RoHS, IP65 rated

**WARRANTY**

5 year Limited Warranty



**LIFESPAN**

L70 Rated for 150,000 hours

**TECHNICAL SPECIFICATION**

CCT	3500K/4000K/5000K
CRI	80
DIMMING	0-10V dimmable
VOLTAGE	120V - 277V, (277V-480V) 50/60 Hz
POWER FREQUENCY	50/60 Hz
POWER FACTOR	>0.9
CURRENT	1.5A
THD	≤20%
WORKING TEMP	-40°F ~ 122°F
STORAGE TEMP	-40°F ~ 176°F
IP RATING	IP65 Wet Location
WARRANTY	5 year limited



CATALOG NUMBER	WATTAGE	CCT	DELIVERED LUMENS	EFFICACY	DLC Pproduct ID
PT-RHB-11D-3CP(-HV)	100W	3500K	14668	147 lm/W	 <b>S-5E8TWJ</b>
		4000K	15848	164 lm/W	
		5000K	15039	151 lm/W	
	120W	3500K	16726	140 lm/W	
		4000K	18484	160 lm/W	
		5000K	17510	146 lm/W	
	150W	3500K	20005	132 lm/W	
		4000K	22314	153 lm/W	
		5000K	21236	139 lm/W	
CATALOG NUMBER	WATTAGE	CCT	DELIVERED LUMENS	EFFICACY	DLC Pproduct ID
PT-RHB-13D-3CP(-HV)	180W	3500K	25233	140 lm/W	 <b>S-ZQUR5</b>
		4000K	28218	163 lm/W	
		5000K	26669	148 lm/W	
	200W	3500K	28137	140 lm/W	
		4000K	31094	161 lm/W	
		5000K	29318	147 lm/W	
	240W	3500K	33477	134 lm/W	
		4000K	37943	162 lm/W	
		5000K	33840	139 lm/W	



Catalog Number:	Project Name:	Note:	Date:	Type:
-----------------	---------------	-------	-------	-------

**EM BATTERY OPTION**



**PT-EMU3-40W (13D)**  
40W AC Emergency Battery Pack  
For Round High Bays

**TRANSFORMER**



**PT-SDT-RHB-325**  
325 VA Step Down Transformer  
For Round High Bays

**ANALOG SENSOR**



**PT-UNI2-SP-PR**  
3 pin PIR Motion Sensor  
W/ Daylight Harvesting



**PT-UNI2-SP-MW**  
3 pin Microwave Motion Sensor  
W/ Daylight Harvesting



**MSH-RC2**  
Remote control for  
Analog Sensors

**MOUNTING OPTIONS**

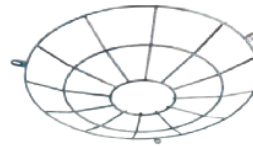


**UB-HBU3-SM**  
U-Bracket Mounting  
for RHB-11D

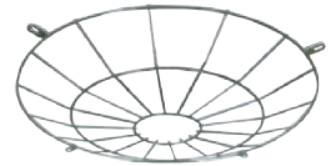


**UB-HBU3-LG**  
U-Bracket Mounting  
for RHB-13D

**WIRE GUARD OPTION**



**WG-RHB-SM**  
Wire guard for RHB-11D



**WG-RHB-LG**  
Wire guard for RHB-13D

**REFLECTOR / COVER OPTION**



**RFL-AL-RHB-SM (11D)**  
**RFL-AL-RHB-LG (13D)**  
Aluminum Reflector  
for RHB-11D



**RFL-PC-RHB-SM (11D)**  
**RFL-PC-RHB-LG (13D)**  
PC Reflector  
for RHB-11D



**\*RFL-PC-BC-RHB**  
PC Reflector Bottom Cover for RHB  
(Must use with PC reflector)



**RHB-11D-L120 (11D)**  
**RHB-13D-L120 (13D)**  
120° Lens  
for RHB-11D

**COMPATIBLE CONTROLS**



**AWN-RF**  
RF only Athena wireless node (White),  
Lutron Model # - A-WN-D01-RF-WH



**PT-MS-35-BT**  
Audiojack PIR Bluetooth  
Motion Sensor W/Daylight Harvesting



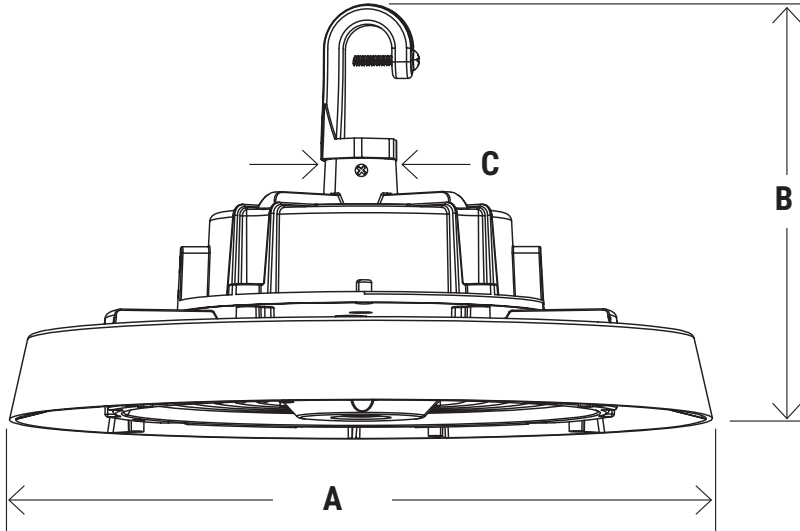
**ADP-35-SP**  
Audiojack to 3 pin Adapter  
for PT-MS-35-BT (Required)



**PT-BTC-6**  
6A Bluetooth Power Pack

Catalog Number:	Project Name:	Note:	Date:	Type:
-----------------	---------------	-------	-------	-------

**DIMENSION**



MODEL#	A	B	C (THREAD SIZE)
PT-RHB-11D-3CP	11"	6.4"	0.5"
PT-RHB-13D-3CP	13.4"	6.5"	

**PT-RHB-11D-3CP**

Net Weight: **5 lbs**

Gross Weight: **6.17 lbs**

**PT-RHB-13D-3CP**

Net Weight: **7 lbs**

Gross Weight: **8.16 lbs**

QTY/CARTON



PIECES



**WHATS IN THE BOX?**

- Fixture
- J-Hook
- Installation Sheet