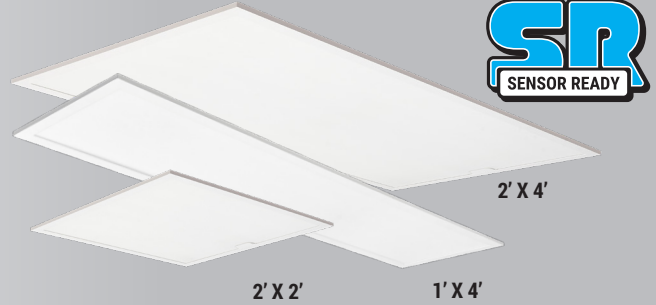


Catalog Number:	Project Name:	Note:	Date:	Type:
-----------------	---------------	-------	-------	-------

**TEELIO Ready**

Portor's **Sensor Ready BLP** luminaire, combined with TEELIO's PT-MS-BT sensor, offers seamless integration for a fully smart bluetooth lighting system. Effortlessly control fixtures right from your hand. The Sensor Ready BLP luminaire features wattage and CCT selectability, eliminating the need to stock multiple color temperatures.

Ideal use for retail stores, schools, offices, markets and restaurant.



**CONSTRUCTION**

Constructed with a cold-rolled steel and extruded aluminum frame, finished with a durable matte white coating. Features a sleek, slim profile design with integrated T-bar mounting clips built directly into the fixture for easy installation.

**OPTICS**

The back-lit Frosted Polystyrene lens ensure uniform light distribution, while the diffuser lens minimizes glare and enhances overall energy efficiency.

**ELECTRICAL**

Luminaire is built with the highest quality driver that is Universal Voltage (120V-27V). Long life, high-efficacy, micro-power LEDs. Continuous dimming (0-10V) comes standard.

**MOUNTING**

Recessed ceiling mount ready (default). Surface mount and suspension mount with optional accessories.

**CONTROLS**

Options available for occupancy sensors with daylight harvesting function, TEELIO Bluetooth lighting controls.

**LISTING**

UL Listed, DLC Listed, IC rated

**LIFESPAN**

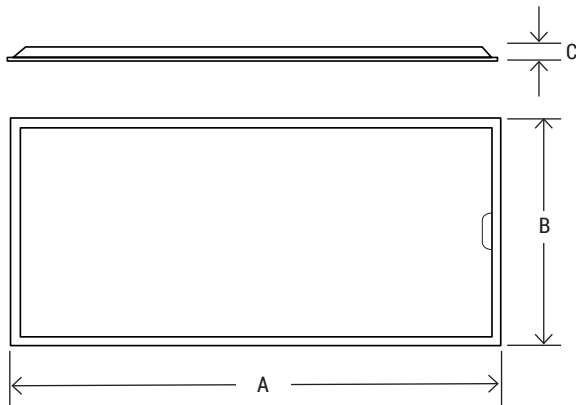
L70 > 100,000 hours

**TECHNICAL SPECIFICATION**

CCT	3500K/4000K/5000K
CRI	80+
DIMMING	1-10V dimming
VOLTAGE	120V-277V
POWER FREQUENCY	50/60 Hz
CURRENT	0.9 - 0.33A
POWER FACTOR	>0.9
THD	≤20%
WORKING TEMPERATURE	-4°F ~ 122°F
IP RATING	IP40, For damp location
WARRANTY	5 year limited (Standard)






**DIMENSION**





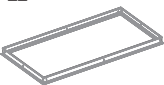



CATALOG NO.	PT-BLP-24-3CP-SR	PT-BLP-22-3CP-SR	PT-BLP-14-3CP-SR
A	47.8"	23.7"	47.8"
B	23.7"	23.7"	11.8"
C	1.5"	1.5"	1.5"
Net Weight	7.41 lbs	3.91 lbs	5.92 lbs
Gross Weight	8.84 lbs	4.77 lbs	6.75 lbs

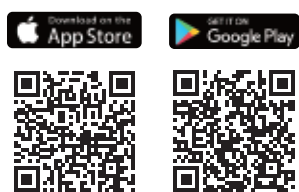
Catalog Number:	Project Name:	Note:	Date:	Type:
-----------------	---------------	-------	-------	-------

ORDERING SAMPLE: **PT-BLP-24-3CP-SR-PT-GMA-P-8W-PT-SDT-325-10YR**

<b>PT-BLP</b>	-		-	<b>3CP</b>	-	<b>SR</b>	-		-	
Fixture				Controls/Sensors <sup>3</sup>			EM Battery <sup>3</sup>			
Series	Size	CCT/Wattage	Compatibility	TEELIO <sup>1</sup>						
<b>PT-BLP</b>	<b>14</b> (1' X 4')	<b>3CP</b> (25W/30W/40W) (35K/40K/50K)	<b>SR</b> (Sensor Ready)	__ Blank 			__ Blank 			
	<b>22</b> (2' X 2')	<b>3CP</b> (25W/30W/40W) (35K/40K/50K)		<b>PT-MS-BT</b> Bluetooth 4pin Sensor			<b>PT-EMA-P-8W</b> 8W Panel AC EM Battery			
	<b>24</b> (2' X 4')	<b>3CP</b> (30W/40W/50W) (35K/40K/50K)		ANALOG 			<b>PT-EMA-8W</b> 8W AC EM Battery Pack			
				<b>PT-MS-4P-PR</b> 4 PIN PIR Analog Sensor w/ Daylight Harvesting			<b>PT-EMG-15W</b> 15W AC EM Battery Pack			
				<b>MSK-LV-RC</b> Remote for PT-MS-4P-PR						

	-		-		-		-	
Mounting <sup>3</sup>		Fixture Add-on <sup>3</sup>				Warranty <sup>3</sup>		
Surface Mount Kit		Transformer <sup>2</sup>		Junction Box		Whips		__ Blank (5 year standard)  <b>7YR</b> 7-year Limited Warranty  <b>10YR</b> 10-year Limited Warranty
__ Blank  <b>SMK-UNI-14</b> 1'x4' Surface Mount Kit <b>SMK-UNI-22</b> 2'x2' Surface Mount Kit <b>SMK-UNI-24</b> 2'x4' Surface Mount Kit		__ Blank  <b>PT-SDT-325</b> 325 VA Step down Transformer		__ Blank  <b>JB-BLP</b> Extension Junction Box for 2x2 and 2x4 panel		__ Blank  <b>MC-5W-SC-6F</b> 6ft 5-wire MC Whip with Screw-in Connector  <b>MC-6W-SC-6F</b> 6ft 6-wire MC Whip with Screw-in Connector  <b>MC-5W-SN-HD-6F</b> 6ft 5-wire MC Whip with Snap-in Head Connector  <b>MC-6W-SN-HD-6F</b> 6ft 6-wire MC Whip with Snap-in Head Connector		
Pendant Mounting Kit								
__ Blank  <b>FK-14</b> 1'x4' Flange Kit <b>FK-22</b> 2'x2' Flange Kit <b>FK-24</b> 2'x4' Flange Kit								
Aircraft Cable								
__ Blank  <b>A-CBL-BLP-14</b> 5' Aircraft Cable for 1x4 <b>A-CBL-BLP-224</b> 5' Aircraft Cable for 1x4, 2x2, 2x4								

<sup>1</sup> **DOWNLOAD THE TEELIO APP**



<sup>2</sup> **TRANSFORMER**


*PT-SDT-325 is a step-down auto-transformer designed to convert high voltage, low current power into low voltage, high current power. It has a maximum power rating of 325VA, which makes it suitable for use in a variety of applications, such as electrical power transmission, distribution, and electronic devices.*


<sup>3</sup> **SOLD SEPARATELY**


Catalog Number:	Project Name:	Note:	Date:	Type:
-----------------	---------------	-------	-------	-------

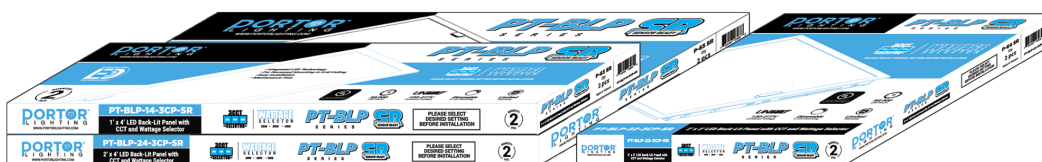
**LUMEN PACKAGES**

(Delivered lumens are based on the actual IES results)

CATALOG NUMBER	WATTAGE	CCT	DELIVERED LUMENS	EFFICACY (LM/W)	DLC ID
 <b>PT-BLP-14-3CP-SR</b>	25W	3500K	3,214	128	<b>S-67MBM5</b>
		4000K	3,328	133	
		5000K	3,182	127	
	30W	3500K	3,703	123	
		4000K	3,949	132	
		5000K	3,738	125	
	40W	3500K	4,651	116	
		4000K	5,031	126	
		5000K	4,675	117	

CATALOG NUMBER	WATTAGE	CCT	DELIVERED LUMENS	EFFICACY (LM/W)	DLC ID
 <b>PT-BLP-22-3CP-SR</b>	25W	3500K	2,984	122	<b>S-24N9MV</b>
		4000K	3,128	134	
		5000K	3,001	123	
	30W	3500K	3,521	118	
		4000K	3,721	131	
		5000K	3,539	119	
	40W	3500K	4,439	111	
		4000K	4,766	127	
		5000K	4,508	112	

CATALOG NUMBER	WATTAGE	CCT	DELIVERED LUMENS	EFFICACY (LM/W)	DLC ID
 <b>PT-BLP-24-3CP-SR</b>	30W	3500K	3,534	120	<b>S-KDSNXZ</b>
		4000K	3,652	129	
		5000K	3,569	121	
	40W	3500K	4,566	115	
		4000K	4,756	126	
		5000K	4,609	116	
	50W	3500K	5,721	109	
		4000K	6,026	121	
		5000K	5,848	110	



**WHAT'S IN THE BOX?**

- Fixture
- Installation sheet

QTY/CARTON

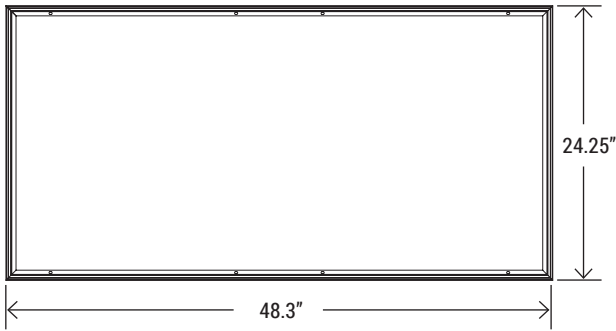
**2**  
PIECES

Catalog Number:	Project Name:	Note:	Date:	Type:
-----------------	---------------	-------	-------	-------

**DESCRIPTION**

- Made of 22 ga cold rolled steel
- Painted in white after fabrication
- Easily convert recessed troffer/panel to surface mount
- Available in 2'x4', 1x4', 2'x2'

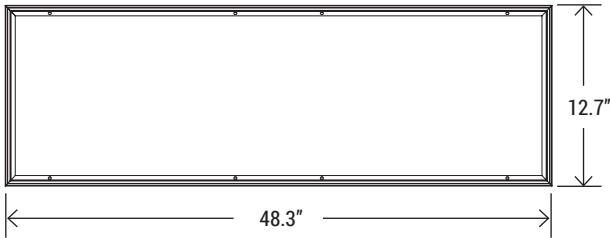
**2' X 4'**



**SMK-UNI-24**

2' x 4' Surface Mount Kit for Troffer/Flat Panel

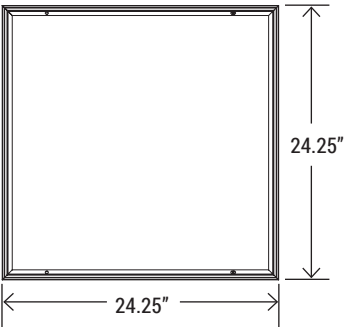
**1' X 4'**



**SMK-UNI-14**

1' x 4' Surface Mount Kit for Troffer/Flat Panel

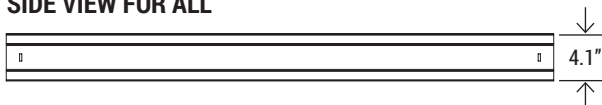
**2' X 2'**



**SMK-UNI-22**

2' x 2' Surface Mount Kit for Troffer/Flat Panel

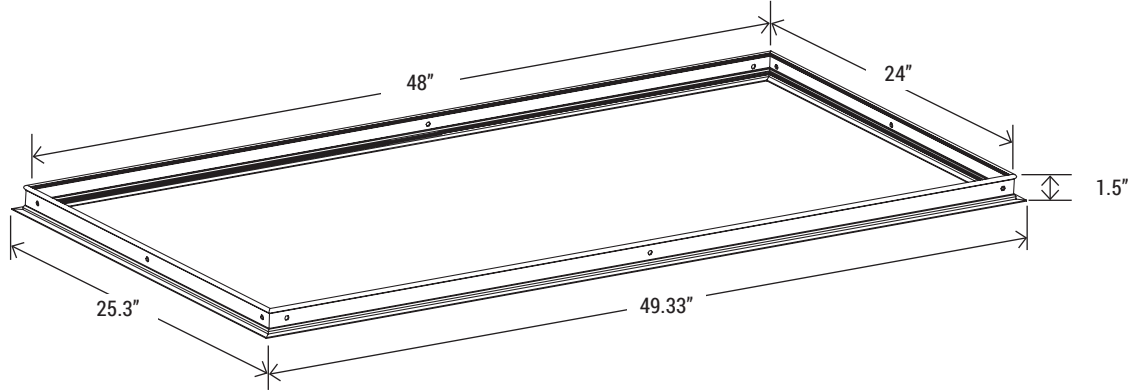
**SIDE VIEW FOR ALL**



Catalog Number:	Project Name:	Note:	Date:	Type:
-----------------	---------------	-------	-------	-------

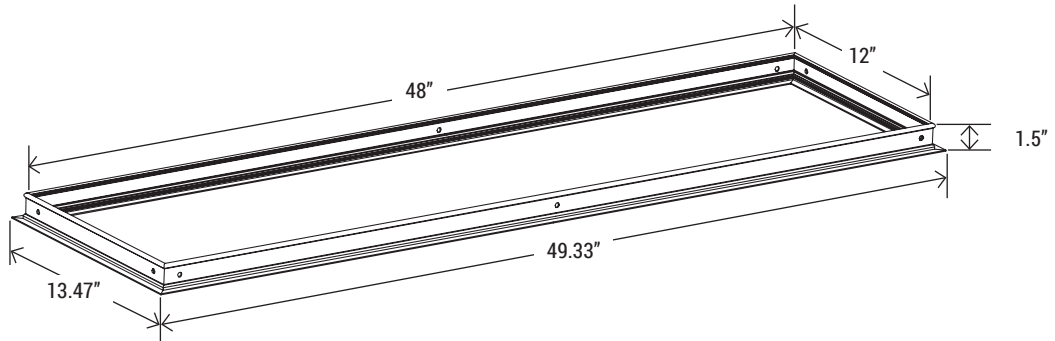
**FK-24**

2' x 4' Flange Kit



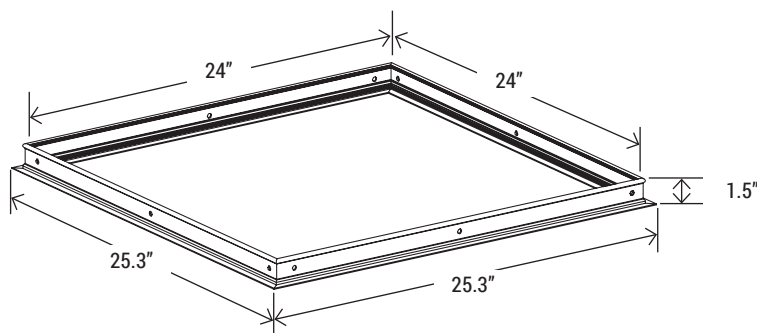
**FK-14**

1' x 4' Flange Kit



**FK-22**

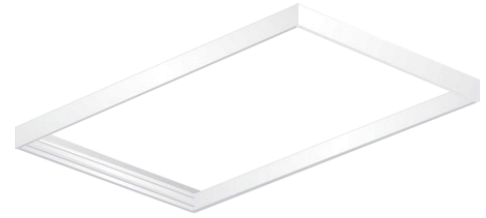
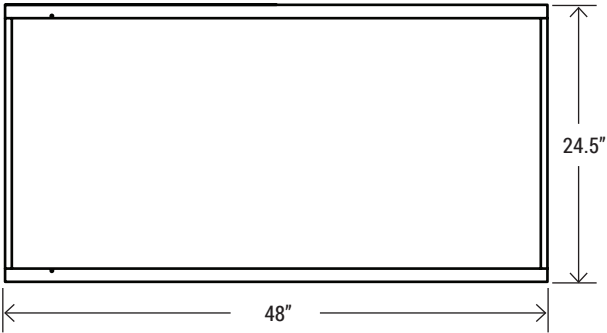
2' x 2' Flange Kit



Catalog Number:	Project Name:	Note:	Date:	Type:
-----------------	---------------	-------	-------	-------

**LIMITED STOCK**

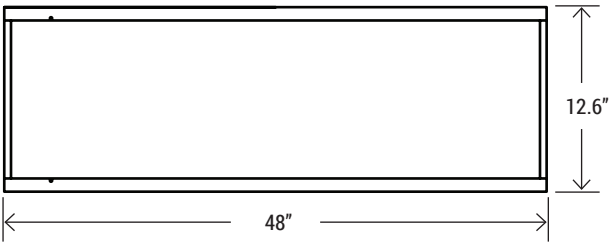
**2' X 4'**



**SMK-BLP-24**

2' x 4' Surface Mount Kit for Flat Panel

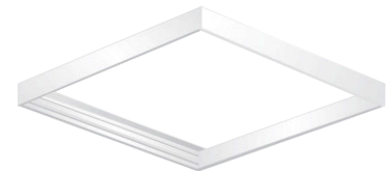
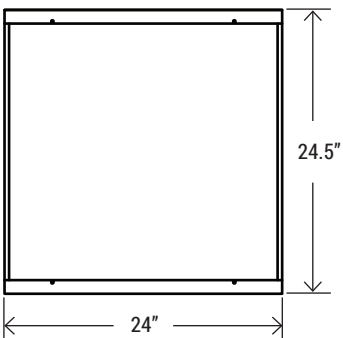
**1' X 4'**



**SMK-BLP-14**

1' x 4' Surface Mount Kit for Flat Panel

**2' X 2'**



**SMK-BLP-22**

2' x 2' Surface Mount Kit for Flat Panel

**SIDE VIEW FOR ALL**

